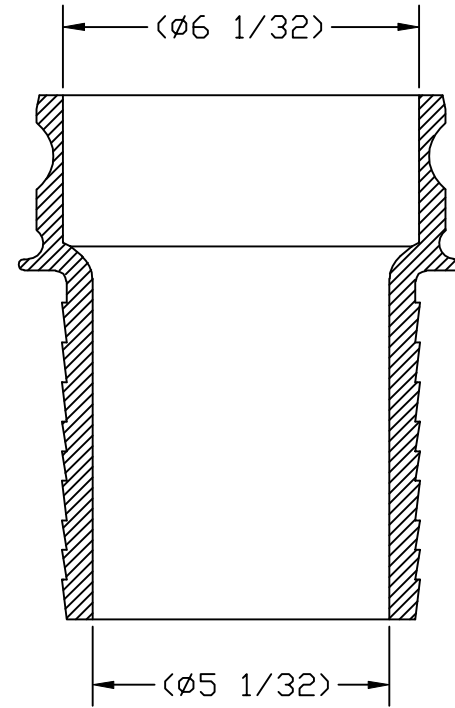
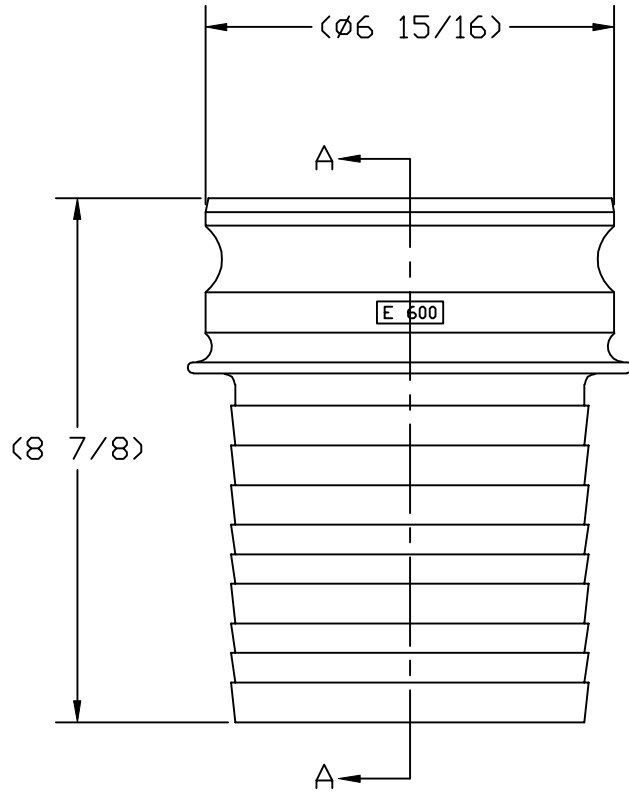


SALES DRAWING



SECTION A-A

SALES DRAWING

A	FDD	8-21-98	PART REDRAW FOR VENDOR SPECIFICATIONS, NEW T/BLOCK
REV	BY	DATE	DESCRIPTION

UNLESS OTHERWISE SPECIFIED DIMENSIONAL TOLERANCES	
FRACTIONAL	±1/16
X.XX	±0.03
X.XXX	±0.015
ANGULAR	±1°

SALCO PRODUCTS			
DRAWN BY: ACC	CHKD BY:	SCALE: 1/2:1	APPROVAL DATE: 6-13-95
MATERIAL: ALUMINUM			
PART NAME: MALE 6" HOSE ADAPTOR			

THIS PRINT, PROPERTY OF SALCO PRODUCTS INC., CONTAINS PROPRIETARY INFORMATION AND MUST NOT BE COPIED, REPRODUCED, OR USED IN WHOLE OR IN PART WITHOUT WRITTEN PERMISSION FROM SALCO PRODUCTS INC.

PROJECT #:	PROTOTYPE AND DATE:	APPROVED FOR PRODUCTION:
------------	---------------------	--------------------------

THIRD ANGLE PROJECTION

DRAWING #: B7472	PART #: UN6AHA
------------------	----------------